

FA55 是响应性较好的过电压保护元件。可应对各种 AC 耐电压试验，是需要较大浪涌耐量的电源线防浪涌的理想浪涌吸收元件。

The FA55 responds very quickly to induced lightning and electrostatic discharges.
Capable of many types of AC withstand tests.
Ideal for protecting power supplies from power-line surge voltage.

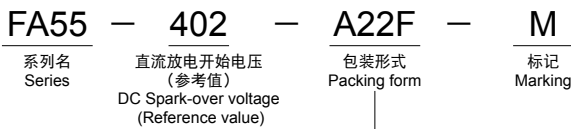
■ 特点

- 结构极其小巧 (直径 5.5mm, 长度 7mm)
- 可适应各种 AC 耐电压试验
- 浪涌响应性好, 限制电压低
- 静电容量小, 绝缘性优异
- 可稳定应对反复浪涌及环境变化
- 可对应轴向编带及径向编带包装
- 无极性
- 无明显场所的特性差异
- FA55 可在各种电源电路中 与压敏电阻组合使用
- 使用温度范围 (一般规格): -40 ~ 85°C
- 保存温度范围 (一般规格): -55 ~ 125°C

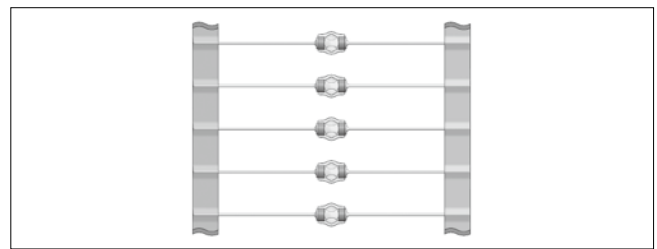
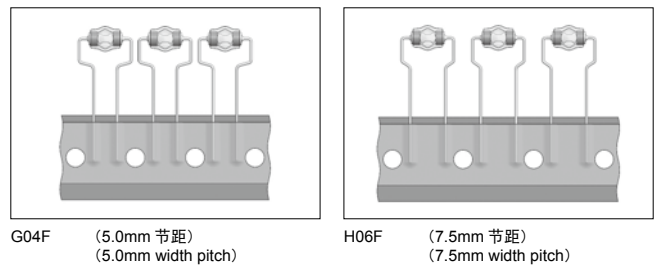
■ Features

- Small size. (φ 5.5mm Length 7mm)
- Allows performing the AC withstanding voltage test.
- Quick response for surge voltage, and low limiting voltage.
- Small capacitance and excellent insulation resistance.
- Stable for repeated discharge test conditions and environmental fluctuation.
- Axial and Radial taping available.
- No polarity.
- No dark effect.
- FA55 combined with varistor can be used as surge-protecting elements in power supplies.
- Operating temperature limit : -40 ~ 85°C
- Storage Temperature Range : -55 ~ 85°C

■ 型号构成 Part number system



记号 Code	内容 Description
A22F	轴向 (横型) 编带、扁平包装 Axial, ammo pack taping
G04F	径向 (纵型) 编带、扁平包装 Radial ammo pack (5.0mm width pitch) taping
H06F	径向 (纵型) 编带、扁平包装 Radial ammo pack (7.5mm width pitch) taping



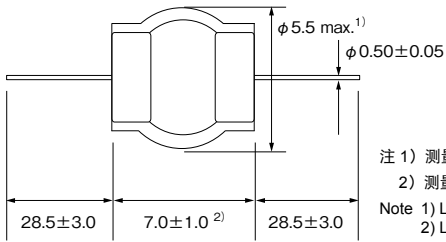
■ 特性 Characteristics

型号 Part number	脉冲放电开始电压 Impulse sparkover voltage 1.2/50 μs	绝缘阻抗 Insulation resistance IR		静电容量 Electrostatic capacitance 1kHz-6V max C	浪涌耐量 Surge current capacity 8/20 μs	浪涌寿命 Surge life test 8/20 μs 100A 300times	AC耐电压 AC withstanding voltage	直流放电开始电压 ※参考值 DC sparkover voltage Vs ※Referenc value	UL规格认证产品 UL recognized	cUL规格认证产品 cUL recognized	EN规格认证产品 EN recognized
		≥100MΩ	DC500V						UL1449 File No. E318314	CSA C22.2No.269 UL File No. E318314	EN62368-1 TÜV. Report No. J50189760
FA55-272	4,500V max.	≥100MΩ	DC500V	≤1pF	2,500A / 3次 3,000A / 1次 2500A / 3times 3000A / 1time	8/20 μs 100A 300times	AC1,000V-1min AC1,200V-3s	2,700V (2,160~3,240)	○ 1)	○ 1)	—
FA55-302	5,000V max.						AC1,500V-1min	3,000V (2,400~3,600)	○ 1)	○ 1)	○ 2)
FA55-362	5,000V max.						AC1,800V-3s	3,600V (2,880~4,320)	○ 1)	○ 1)	○ 2)
FA55-402	6,000V max.						AC2,000V-1min	4,000V (3,200~4,800)	○ 1)	○ 1)	○ 2)

- 1): 与压敏电阻 (AC125V : V1mA ≥ 270V, D ≥ φ 7mm, AC250V : V1mA ≥ 470V, D ≥ φ 7mm) 电气串接 (导线绕焊、压接、焊接等) 即可被认证。
: Approved if used with a varistor (125VAC : V1mA ≥ 270V, D ≥ φ 7mm, 250VAC : V1mA ≥ 470V, D ≥ φ 7mm), electrically connected in series.
- 2): 与压敏电阻 (V1mA ≥ 470V, D ≥ φ 5mm) 电气串接即可被认证。
: Approved if used with a varistor (V1mA ≥ 470V, D ≥ φ 5mm), electrically connected in series.
- 3): 安全标准认定条件可能会被修订。关于最新的认定状况, 请确认各标准的主页。
: Safety standard certification conditions may be revised. Would you confirm the web site of each standard about the latest information.

形状·尺寸 Dimensions

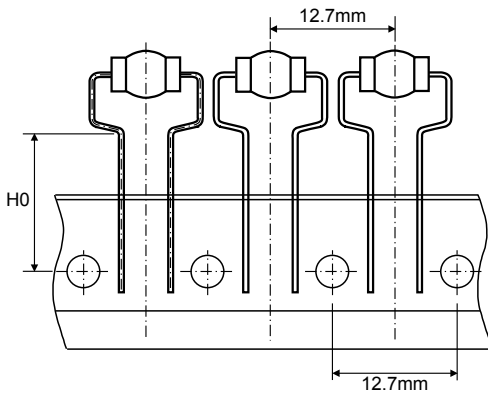
单位：mm
Unit：mm



注 1) 测量位置为最大直径部。
2) 测量位置为玻璃端面间或柱钉端面间的较长者。
Note 1) Largest possible max diameter.
2) Largest possible distance of either edge of glass or from stud.

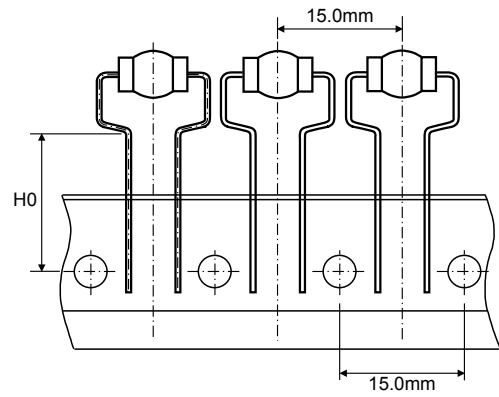
形状·尺寸 Dimensions

G04F Type



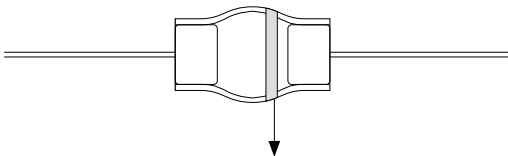
记号 Code	H0
G04F	$16.0 \pm 2.0 \text{ mm}$

H06F Type



记号 Code	H0
H06F	$16.0 \pm 2.0 \text{ mm}$

标记 Marking



颜色代码 Color code	型号 Part number
红 Red	272
白 White	302
紫 Purple	362
蓝 Blue	402